

PROJECT NAME: _____

LOCATION: _____

SPECIFIER ITEM NO. _____ **QTY:** _____

ENCORE PART NO. _____

Encore[®] Low Lead MiniDeck Mount Pre-Rinse Assembly with Add-On Faucet

KL50-MINI-AFx Series

- KL50-MINI-AF1 6" Add-On, Compression Valves
- KL50-MINI-AF2 8" Add-On, Compression Valves
- KL50-MINI-AF3 10" Add-On, Compression Valves
- KL50-MINI-AF4 12" Add-On, Compression Valves
- KL50-MINI-AF5 14" Add-On, Compression Valves
- KL50-MINI-AF6 16" Add-On, Compression Valves
- KL50-MINI-AF7 18" Add-On*, Compression Valves

*Double jointed add-on faucet



Approximate shipping weight - 13 lb
 Warranty - 3 years parts

Heavy duty mini pre-rinse assembly designed to withstand the demands of commercial operations.

Low-Flow Spray Valve

- 1.6gpm Flat Spray
- Spray head hook holds spray head away from work area when not in use
- Heat resistant, non-marring, impact resistant bumper will not fatigue under extreme operating temperatures

Encore Premium Hose Feature

- 3-ply nylon reinforced Santoprene[®] inner hose provides maximum durability
- Interlocking helical coils of stainless steel outer hose shroud protect inner hose
- Patented stainless steel strain relief spring transfers and distributes load stress to significantly improve hose life
- High pressure hydraulic fittings on hose ends tested to 400psi
- Washerless design incorporates temperature resistant o-rings to provide leak-proof seal on all hose assemblies and hose grips

Kool Grip™ Hose Grip

- Reduces heat transfer to the hand; stays up to 30 degrees cooler than competitors' grips
- Ergonomic spray handle fits comfortably in even small hands and is easy to use

SPECIFICATIONS:

Single Hole Mini Deck Mount Pre-Rinse Assembly to be Encore KL50-MINI Series in the following configuration:

- _____ KL50-MINI-AF1 6" Add-On, Compression Valves
- _____ KL50-MINI-AF2 8" Add-On, Compression Valves
- _____ KL50-MINI-AF3 10" Add-On, Compression Valves
- _____ KL50-MINI-AF4 12" Add-On, Compression Valves
- _____ KL50-MINI-AF5 14" Add-On, Compression Valves
- _____ KL50-MINI-AF6 16" Add-On, Compression Valves
- _____ KL50-MINI-AF7 18" Add-On*, Compression Valves

Pre-rinse body to be constructed of polished chrome plated brass. Pre-rinse hose to be constructed of 3-ply nylon reinforced Santoprene[®] permanently secured with high pressure hydraulic fittings pressure tested to 400 psi. Hose to be of washerless, leak-proof design, protected by interlocking helical stainless steel coils for maximum protection and flexibility. Patented stainless steel strain relief spring transfers load stress. Heavy-duty ergonomic gooseneck spring ensures proper hose position. A patented wall bracket with compression fitting is provided to facilitate installation and give 360° of support. Riser to include spray head hook to hold spray head away from work area when not in use. Spray head to be furnished with 1.6gpm* Water Saver Spray. Spray assembly to be equipped with Kool Grip™ handle to reduce heat transfer to hand.

*All flow rates are @ 60psi

COMPLIES WITH:
 THE FEDERAL "REDUCTION OF LEAD
 IN DRINKING WATER ACT" -
 2011 - US SENATE BILL NO. S.3874
 NSF/ANSI 61/9, ANNEX G

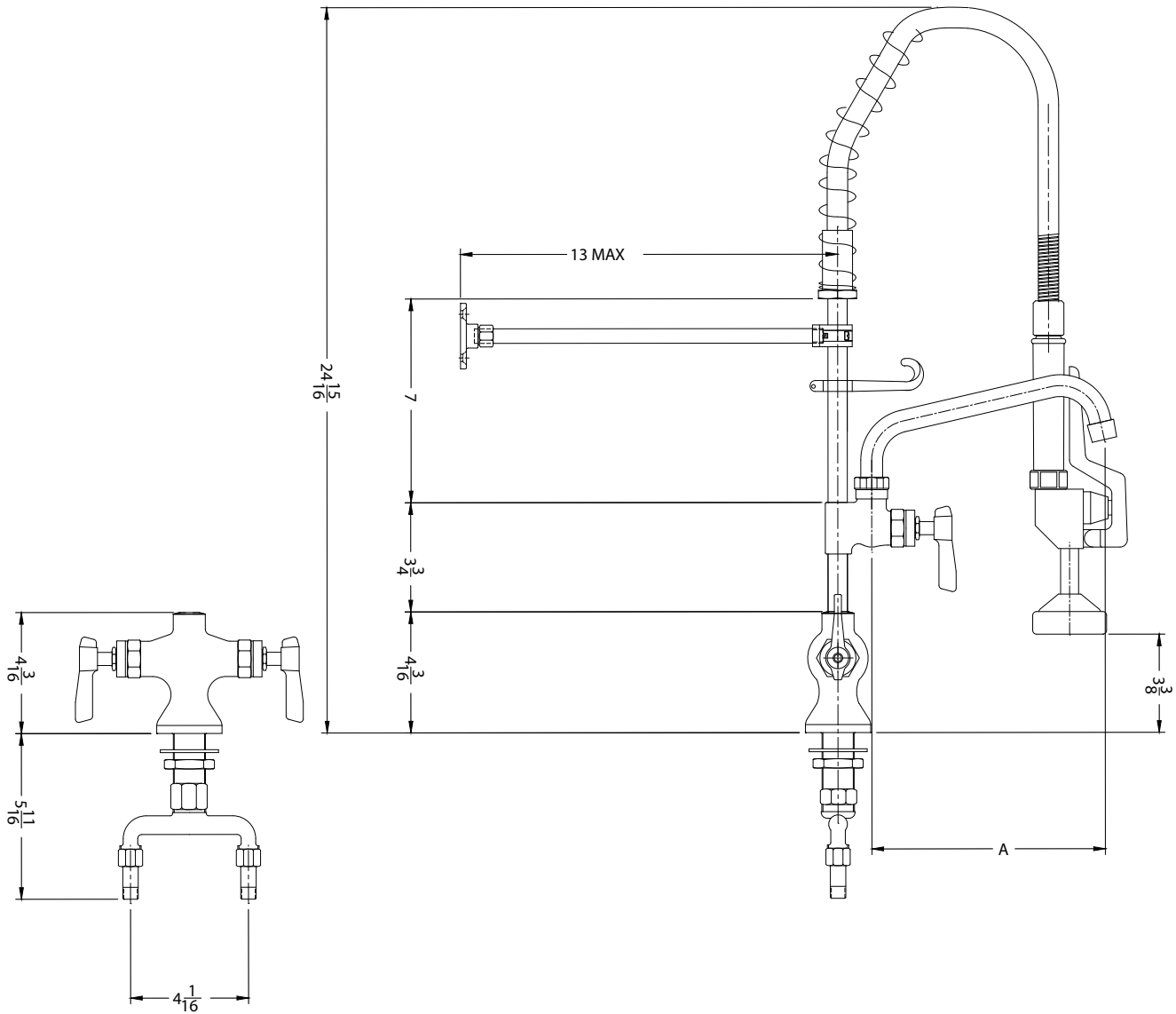


KL50-MINI-AFx Series

Low Lead Mini Deck Mount Pre-Rinse Assembly with Add-On Faucet

PREMIUM PLUMBING PRODUCTS
Encore[®]

1890 Swarthmore Avenue, PO Box 2020, Lakewood, NJ 08701
 Phone: 800-526-3694, 732-363-4700, Fax: 732-364-8110
www.encoreplumbing.com • www.componenthardware.com



1-1/2" (29mm) hole for deck is recommended to accommodate 1/2" supply nipples.
 1/2" NPT Female Inlets
 Operating Temperature: 40 - 180°F (5 - 83°C)
 Operating Pressure: 15 - 125psi

Model No.	A
KL50-MINI-AF1	6" (152mm)
KL50-MINI-AF2	8" (203mm)
KL50-MINI-AF3	10" (254mm)
KL50-MINI-AF4	12" (305mm)
KL50-MINI-AF5	14" (356mm)
KL50-MINI-AF6	16" (406mm)
KL50-MINI-AF7	18" (457mm)

Dimensions shown in inches (mm) are for reference only and are subject to change.